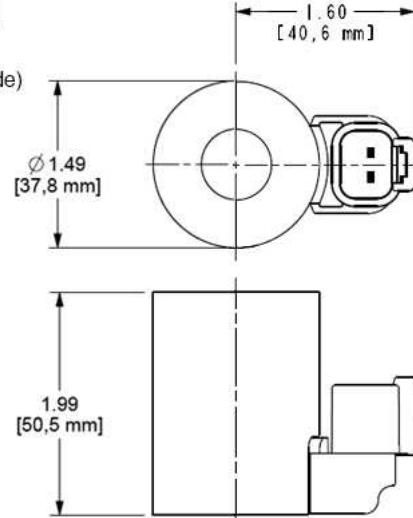


DC COIL
(without TVS Diode)



TECHNICAL DATA

Operating Temperature Range	-40 to 110 °C
Arc Suppression (TVS)	None
Power Consumption (cold) - at rated voltage	25 Watts
Maximum Ambient Temperature	50 °C
Voltage/Frequency	24 VDC
Operating Voltage Range	+10%/-15%
Duty Cycle Rating	100 %
Connector	Deutsch DT04-2P
Coil Nut Torque	0,5 Nm

USED WITH

DBAF	DBAFS	DFBF	DFBG	DFCI	DFCJ	DFDI	DFDJ	D FEI	D FEJ
DFFI	DFFJ	DLDF	DLDFS	DMBF	DNBF	DTAF	DTAFS	DTBF	DTCF
DTDF	DTDFS	DWBF	DWDF	FDEP	FMDF	FMDG	FPBF	FPBG	FPBI
FPBJ	FPBU	FREP	PRDF	PRDG	RPEI	RVCK	RVCL	RVCM	RVCN
991711300	991711600	991712300	991712600	991713030	991713060	991717	991718	991719	991723001
991723002	991740001	XMD-01	XMD-02						